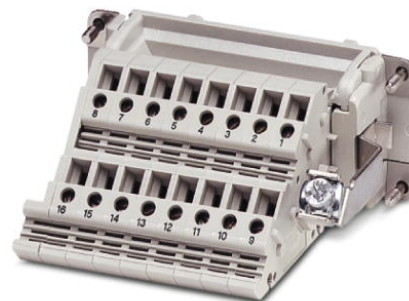


HC-KA-B 16-BU/PER

Order No.: 1772942



<http://eshop.phoenixcontact.de/phoenix/treeViewClick.do?UID=1772942>

HEAVYCON terminal adapter female insert, B16 series, 16. pos., protective conductor connection on the right for the left side of the control cabinet, screw connection; contact inserts with screw, crimp, and QUICKON connections usable as mating connectors.

Commercial data	
EAN	4017918037550
Pack	5 Pcs.
Customs tariff	85369010
Weight/Piece	0.14386 KG
Catalog page information	Page 382 (PC-2007)

Product notes

WEEE/RoHS-compliant since:
12/01/2005



<http://www.download.phoenixcontact.com>
Please note that the data given here has been taken from the online catalog. For comprehensive information and data, please refer to the user documentation. The General Terms and Conditions of Use apply to Internet downloads.

Technical data

Electrical characteristics

Note	Für HEAVYCON-ADVANCE-Anbauflansche und HEAVYCON-Anbaugehäuse der Bauform B16. Als Gegenstecker sind Kontakteinsätze mit Schraub-, Crimp-, QUICKON-Anschluss einsetzbar.
------	---

Number of positions	16
Connection in acc. with standard	IEC / EN
Rated voltage (III/3)	400 V
Rated surge voltage	6 kV
Rated current	16 A

Mechanical characteristics

Design	B16
Connection systems	Screw connection
Tightening torque	0.5 Nm ... 0.8 Nm
Stripping length of the individual wire	14 mm
Conductor cross section	0.2 mm ² ... 2.5 mm ²
Connection cross section AWG	22 ... 12

General characteristics

Contact material	Copper alloy
Contact surface material	Ag
Contact carrier material	PA / PC
Terminal adapter width	59.3 mm
Pollution degree	3
Surge voltage category	III
Inflammability class acc. to UL 94	V0
Connection in acc. with standard	IEC / EN
Ambient temperature (operation)	-40 °C ... 125 °C

Certificates / Approvals

Approval logo



CSA

Nominal voltage U_N	300 V
Nominal current I_N	9 A
AWG/kcmil	22-12

UL

Nominal voltage U_N	600 V
Nominal current I_N	10 A
AWG/kcmil	22-12
Certification	CSA, GOST, UL

Accessories

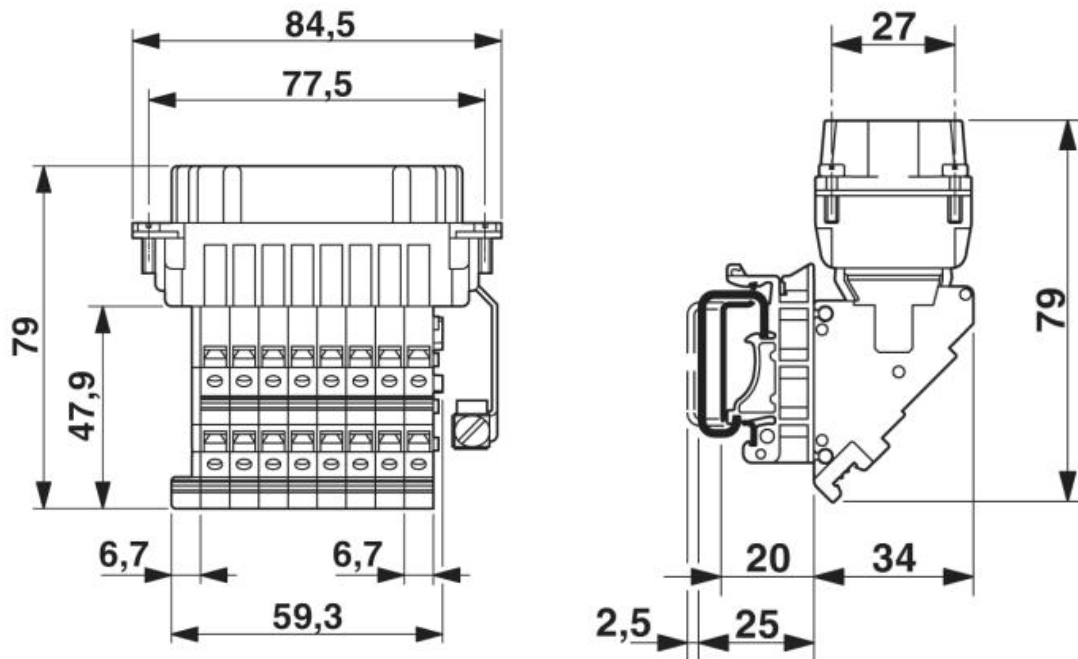
Item	Designation	Description
------	-------------	-------------

Assembly

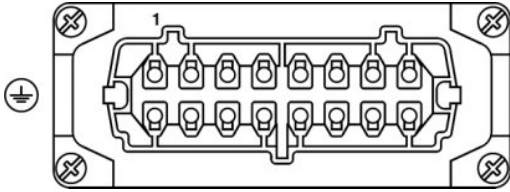
1775240	HC-KA-FE	Foot element, for mounting on mounting rail NS 32, mounting rail NS 35/7.5 or mounting rail NS 35/15, can be inserted between basic and side element
1660083	HC-VSH	Locking screw barrel to firmly connect contact inserts and rail-mountable terminal adapters

Drawings

Dimensioned drawing



Schematic diagram



Address

PHOENIX CONTACT GmbH & Co. KG
Flachmarktstr. 8
32825 Blomberg, Germany
Phone +49 5235 3 00
Fax +49 5235 3 41200
<http://www.phoenixcontact.com>



© 2008 Phoenix Contact
Technical modifications reserved;